

SAIL CHECK LIST

For use on replacement or additional sails

This is NOT a measurement form and is NOT required to be sent to the Registrar

THIS FORM TO BE USED IN CONJUNCTION WITH THE BOATS RATING CERTIFICATE

A term used in its defined sense is printed in "**bold**" type if defined in the ERS.

MAIN SAILS

The B Measurement is to be found on the **boat's certificate**

Tick when checked

- | | | |
|---------|---|--------------------------|
| 5.3.4 | a) Is the quarter width less than or equal to $(0.75 \times B) + 90\text{mm}$? | <input type="checkbox"/> |
| | b) Is the half width less than or equal to $(0.5 \times B) + 110\text{mm}$? | <input type="checkbox"/> |
| | c) Is the three-quarter width less than or equal to $(0.25 \times B) + 105\text{mm}$? | <input type="checkbox"/> |
| 5.3.5/8 | a) Does the sail have four or less battens or tape markers? | <input type="checkbox"/> |
| | b) Is the variation in batten spacing no more than 40mm? | <input type="checkbox"/> |
| 5.3.6 | a) Is the upper batten length less than or equal to 167mm ? | <input type="checkbox"/> |
| | b) Are other batten lengths less than or equal to 205mm ? | <input type="checkbox"/> |
| 5.3.7 | Is the leech above the upper batten within 25mm of a straight line joining the centreline of that batten at the leech and the aft head point ? | <input type="checkbox"/> |
| 5.3.7 | Is the leech below the lowest batten within 25mm of a straight line joining the centreline of that batten at the leech and the clew point ? | <input type="checkbox"/> |
| 5.3.9 | Does the foot extend more than 25mm below a straight line joining the clew point and the tack point ? | <input type="checkbox"/> |
| 5.3.10 | If the clew and/or tack points are not clearly defined are they identifiable by lines drawn on the sail ? | <input type="checkbox"/> |
| 5.3.11 | Are the width and height of the headboards less than or equal to 22mm x 22mm ? | <input type="checkbox"/> |

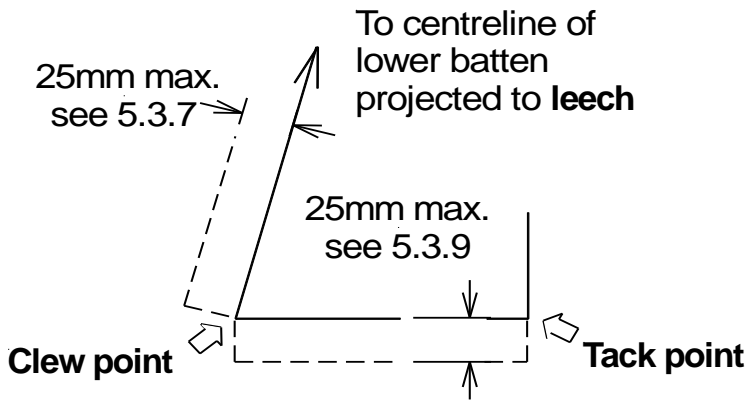
HEADSAILS

The J Measurement is to be found on the **boat's certificate**

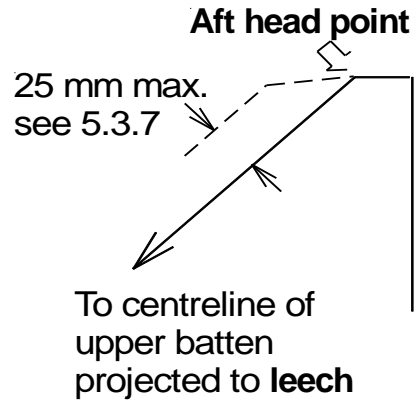
- | | | |
|-------|---|--------------------------|
| 5.4.1 | Headsails set on a boom | |
| | a) Is the width, measured from the mid point of the luff to the nearest point of the leech , less than or equal to $(0.5 \times J) + 50\text{mm}$? | <input type="checkbox"/> |
| | b) Does the sail have three or less battens ? | <input type="checkbox"/> |
| | c) Are the batten lengths less than or equal to 100mm ? | <input type="checkbox"/> |
| | d) Is there no headboard? | <input type="checkbox"/> |
| 5.4.2 | Other Headsails not set on a boom | |
| | a) is the foot less than or equal to $J + 417\text{mm}$? | <input type="checkbox"/> |
| | b) Are there no battens ? | <input type="checkbox"/> |
| | c) Is there no headboard ? | <input type="checkbox"/> |
| | Have all the sails been signed and dated near the tack ? | <input type="checkbox"/> |

SIX METRE MAINSAIL DIAGRAMS

Limit of leech and foot round at clew and tack point



Limit of leech at aft head point



Mainsail widths see 5.3.4

